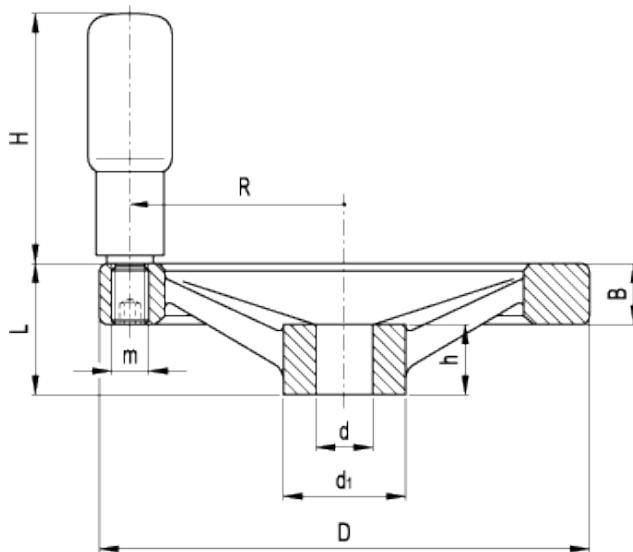


GN 322-R

Spoked handwheels with revolving handle



technical informations

Material

Aluminium, fine sandblasted matte surface, turned and mirror-polished rim.

Assembly

- Version B: H7 reamed hole.
 - Version K: H7 reamed hole and keyway in compliance with [DIN 6885/1 P9 tolerance](#).
- For fixing GN 322-R on shafts by a grub screw see [Technical Data](#).

Revolving handle

Type GN 798 in polyamide based (PA) technopolymer, black colour, matte finish. Resistant to solvents, oils, greases and other chemical agents. The two-volume special design of the handle provides the operator's hand with a safe and ergonomic grip when turning the handwheel.

Other standard executions available

GN 322-D with [GN 000.4](#) or [GN 000.5](#) safety coupling bushing.

Accessories on request

Axial retaining washer type [GN 184](#).

Technical data

Axial and radial runout lower than 0.4.

Standard Elements	Main dimensions				Bore			Handle			Weight
Description	D	L	B	d ₁	d _{H7}	h	H	Ø	m	R	g
GN 322-125-B12-R	125	33	15	31	12	18	61.5	22	M8	54	383
GN 322-125-B14-R	125	33	15	31	14	18	61.5	22	M8	54	386
GN 322-125-K12-R	125	33	15	31	12	18	61.5	22	M8	54	381
GN 322-125-K14-R	125	33	15	31	14	18	61.5	22	M8	54	384
GN 322-140-B14-R	140	36	16.5	36	14	19	76.5	24	M8	61	486
GN 322-140-B16-R	140	36	16.5	36	16	19	76.5	24	M8	61	469
GN 322-140-K14-R	140	36	16.5	36	14	19	76.5	24	M8	61	484
GN 322-140-K16-R	140	36	16.5	36	16	19	76.5	24	M8	61	467
GN 322-160-B14-R	160	39	18	36	14	20	76.5	24	M10	71	643
GN 322-160-B16-R	160	39	18	36	16	20	76.5	24	M10	71	634
GN 322-160-K14-R	160	39	18	36	14	20	76.5	24	M10	71	640
GN 322-160-K16-R	160	39	18	36	16	20	76.5	24	M10	71	631
GN 322-200-B18-R	200	45	20.5	42	18	24	86.5	25	M10	89	996
GN 322-200-B20-R	200	45	20.5	42	20	24	86.5	25	M10	89	989
GN 322-200-K18-R	200	45	20.5	42	18	24	86.5	25	M10	89	985
GN 322-200-K20-R	200	45	20.5	42	20	24	86.5	25	M10	89	992
GN 322-250-B22-R	250	51	23	48	22	28	86.5	25	M10	113	1598
GN 322-250-B26-R	250	51	23	48	26	28	86.5	25	M10	113	1574
GN 322-250-K22-R	250	51	23	48	22	28	86.5	25	M10	113	1593
GN 322-250-K26-R	250	51	23	48	26	28	86.5	25	M10	113	1568

This product had the following design awards:



ELESA and GANTER models all rights reserved in accordance with the law. Always mention the source when reproducing our drawings.

STANDARD MACHINE ELEMENTS WORLDWIDE

